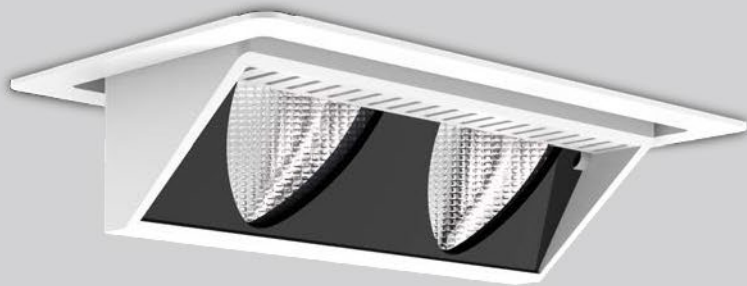


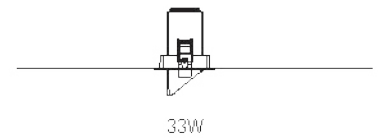
SHELL-D recessed downlights wallwash



Specification

2700 K, 3000 K, 4000 K,
CRI \geq 90
SHELL-D 38W to 2509 lm
(3000 K) 38W to 2779 lm
38W to 2570 lm

Types



Colours

Colours :  
Black White

Beam Angle

  
Shelf floor Wallwash High ceiling Wide
Wallwash Wallwash Wallwash
(Reflector) (Reflector) (Reflector)



SHELL-D-SF2

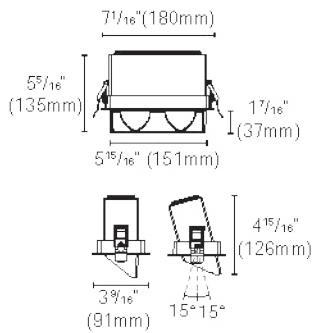


Fixture Consumption	38W
Current	900 (mA)
Delivered lumen	2508 (lm)
Beam Angle	Wallwash (Reflector)
CCT	3000K
CRI	90+

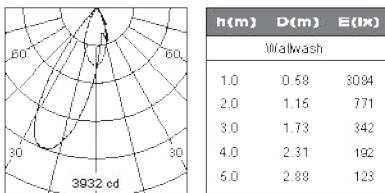
Shelf floor wallwash



Dimmable



Cut out : 3 1/2" X 6 25/32" (78X175mm)



SHELL-D-HC2

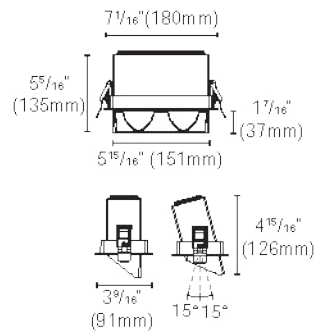


Fixture Consumption	38W
Current	900 (mA)
Delivered lumen	2779 (lm)
Beam Angle	Wallwash (Reflector)
CCT	3000K
CRI	90+

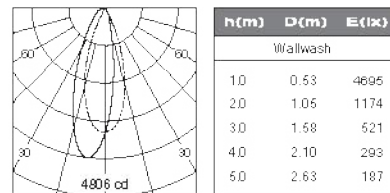
High ceiling wallwash



Dimmable



Cut out : 3 1/2" X 6 25/32" (78X175mm)



SHELL-D-W2

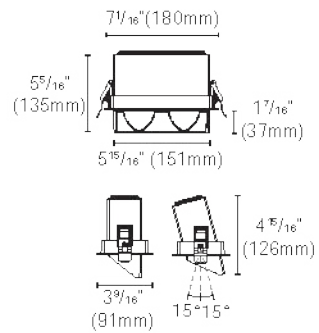


Fixture Consumption	38W
Current	900 (mA)
Delivered lumen	2570 (lm)
Beam Angle	Wallwash (Reflector)
CCT	3000K
CRI	90+

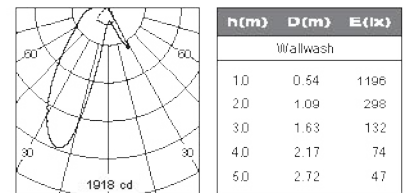
Wide wallwash



Dimmable



Cut out : 3 1/2" X 6 25/32" (78X175mm)

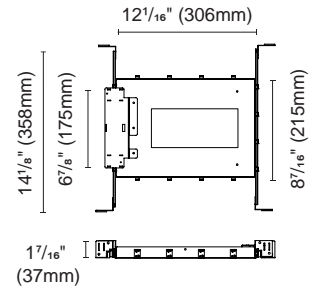




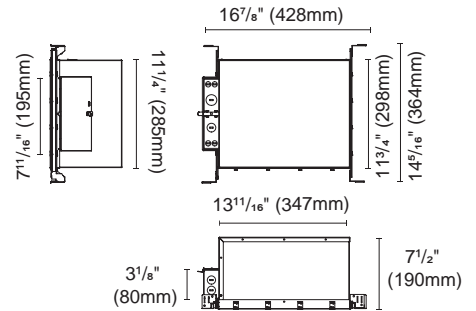
INSTALLATION OPTIONS



DFFK-12K-78A171
for (SHELL-D Recessed)
Type: New construction plate



DFFK-7E-78A174
for (SHELL-D Recessed)
Type: IC Box





SHELL-S SERIES (AM)

