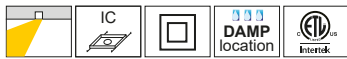


KANO-II-5-WOZ

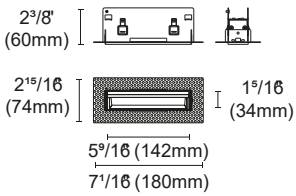


Fixture Consumption	12W
Voltage	120-277 V
Delivered Lumen	431 (lm)
Beam Angle	Wallwash (Reflector)
CCT	3000K
CRI	90+

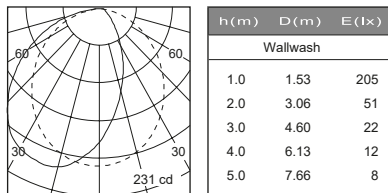


Dimmable

0-10V



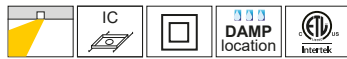
Cut out : 1²⁶/₃₂X6¹/₃₂ (46X153mm)



KANO-II-10-WOZ

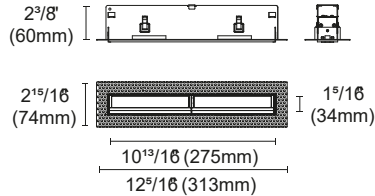


Fixture Consumption	21W
Voltage	120-277 V
Delivered Lumen	834 (lm)
Beam Angle	Wallwash (Reflector)
CCT	3000K
CRI	90+

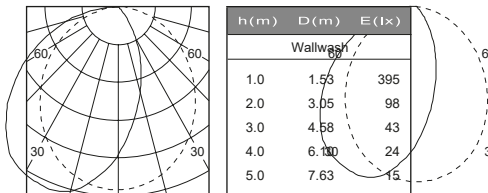


Dimmable

0-10V



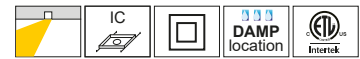
Cut out : 1²⁶/₃₂"X11⁹/₃₂46X286mm



KANO-II-15-WOZ

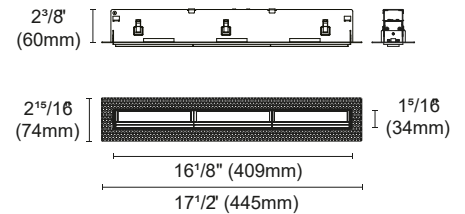


Fixture Consumption	28W
Voltage	120-277 V
Delivered Lumen	1217 (lm)
Beam Angle	Wallwash (Reflector)
CCT	3000K
CRI	90+

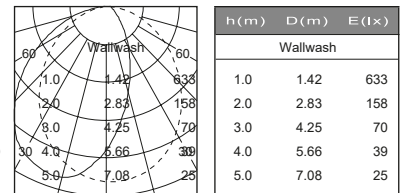


Dimmable

0-10V



Cut out : 1²⁶/₃₂"X16¹⁵/₃₂46X418mm

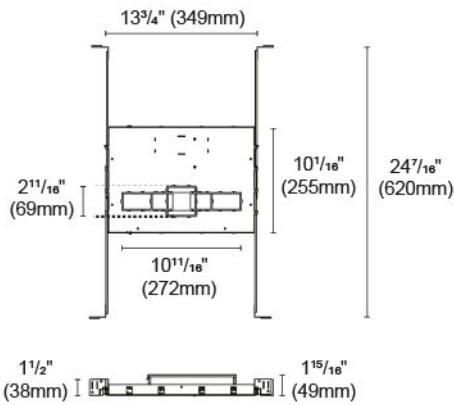


Accessories



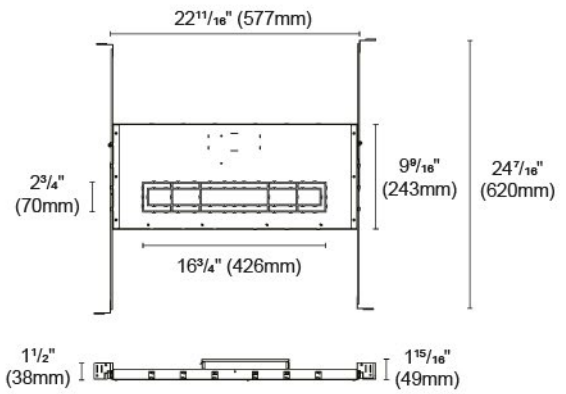
DFFJ-25-69X272

Type: New construction plate
Trim Fixed (1T/2T/4T/5T/10T)
Trim Wallwash (5T/10T)



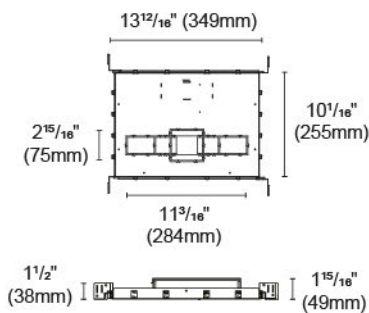
DFFK-1-70X426

Type: New construction plate
Trim Fixed (15T),
Trim Adjustable (5T/10T/15T),
Trim Wallwash (15T)



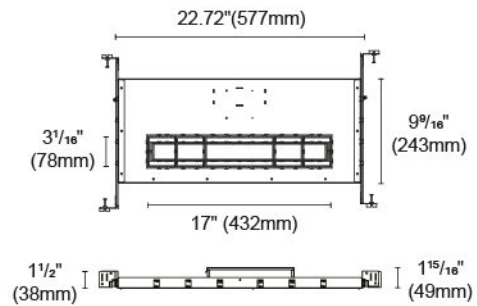
DFFJ-25-75X284

Type: New construction plate
Trimless Fixed (1T/2T/4T/5T/10T)
Trimless Wallwash (5T/10T)



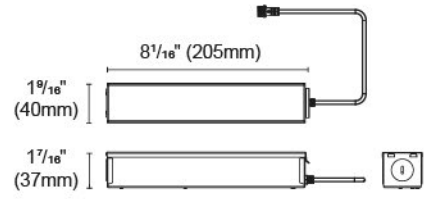
DFFK-1-78X432

Type: New construction plate
Trimless Fixed (15T),
Trimless Adjustable (5T/10T/15T)
Trimless Wallwash (15T)





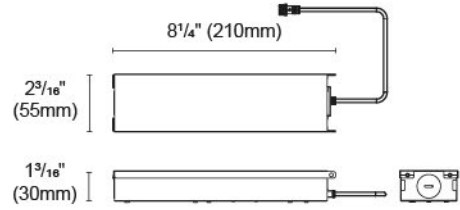
DFFJ-26A-OVF4Z700S UNI non dim
 Type: Gear box and Driver
 for 1T / 2T



Inside: L 7³/₄" (197mm) X W 1¹/₂" (38mm) X H 1⁵/₁₆" (34mm)



DFFJ-20D-OEV12Z-16-F0700-UG for 4T
 DFFJ-20D-OEV12Z-16-F0600-UG for 5T
 DFFJ-20D-OEV30Z-42-F0600-UG for 10T
 DFFJ-20D-OEV30Z-48-F0600-UG for 15T
 DFFJ-20D-SVE50Z-0850-56 for 15TW
 Type: Gear box and Driver
 0-10V



Inside: L 7⁷/₈" (200mm) X W 2¹/₁₆" (53mm) X H 1¹/₁₆" (27mm)

STAR SERIES (AM-C.C.)



STAR (AM)

Small enough to be held by 2 fingers easily. Which is small and compact for blending into the ceiling perfectly, High Lumen and did not even notice the small lighting fixture in the ceiling. With a unique anti-glare feature to present soft and comfortable light emission providing UGR<19. It can apply to numerous situations, such as residential and commercial lighting.

Shape
(Baffle Size)



Round
1.5"

Square
1.5"

2 lamp
1.5"

Mountings



Recessed
Trim

Recessed
Trimless

Light distributions



Fixed

Adjustable

Wallwash

STAR-1.5"

recessed downlights



10W



Dim to warm
Coming soon



Fixed



Adjustable



Wallwash

Round

Trim



Trimless



Square

Trim



Trimless



Multiple lights

2 Lamp
Trim





STAR-1.5"

RISE's STAR-1.5" deliver high lumens to your spaces while remaining fully workable from below the ceiling plane.

FEATURES

- STAR-1.5" downlight offer a tiny new form element for a minutest downlight artistic.
- Micro trim style is well suited with sheetrock, ACT, wood/ millwork, and many other ceiling materials
- Industry leading luminescence and craftsmanship

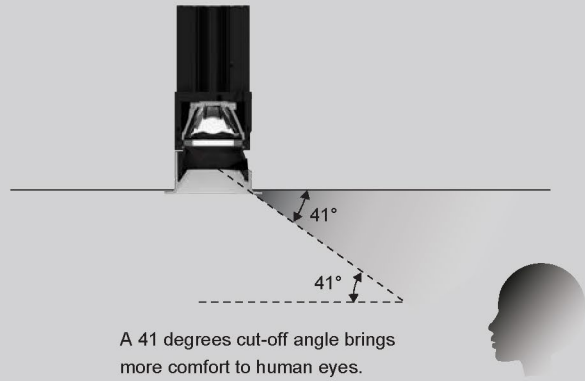
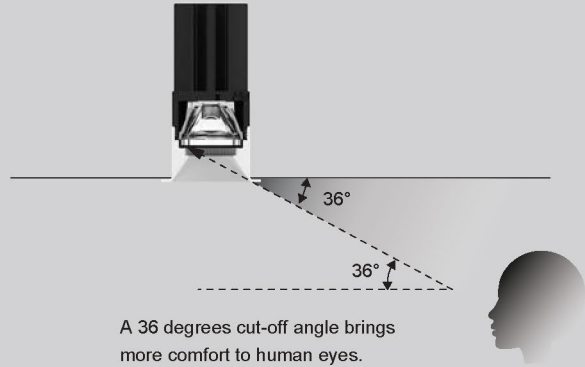
STAR-1.5"

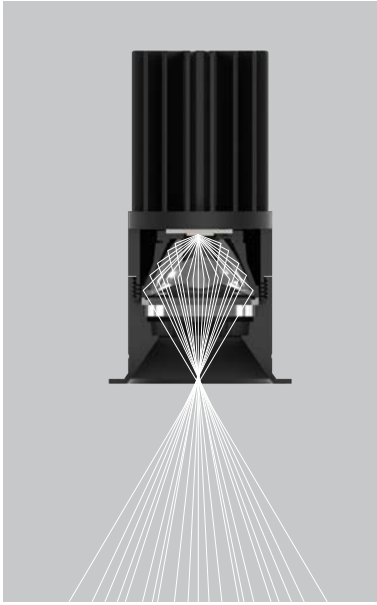


Fixed



Adjustable





Light Distribution



NARROW



MIDDLE



WIDE

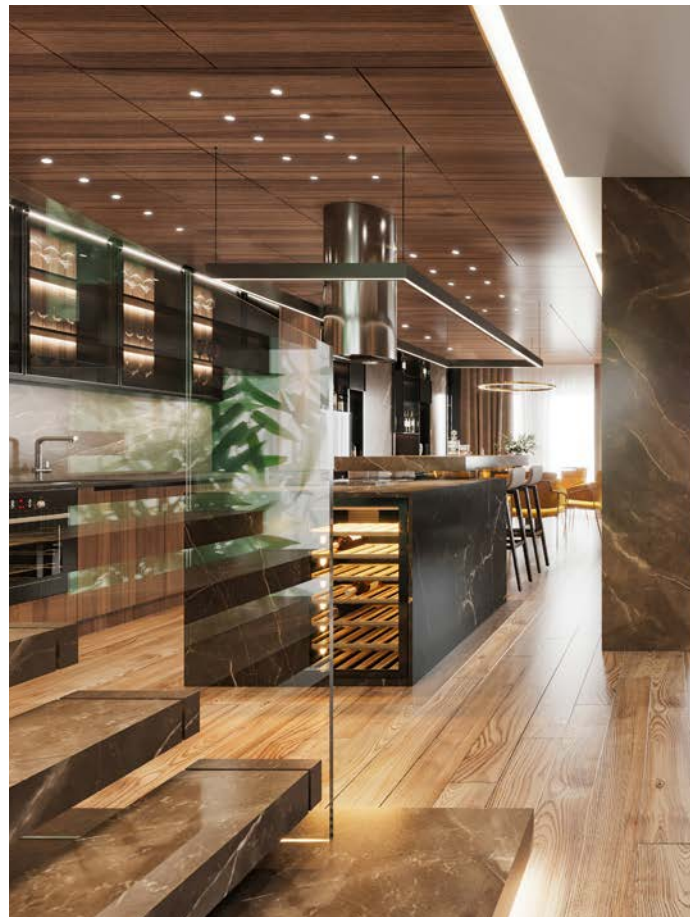


SUPER WIDE



optics

Deep baffle design helps reduce glare, equipped with special selected lens, the light is evenly spread towards the centre to achieve the beam angles needed, making STAR a unique series.

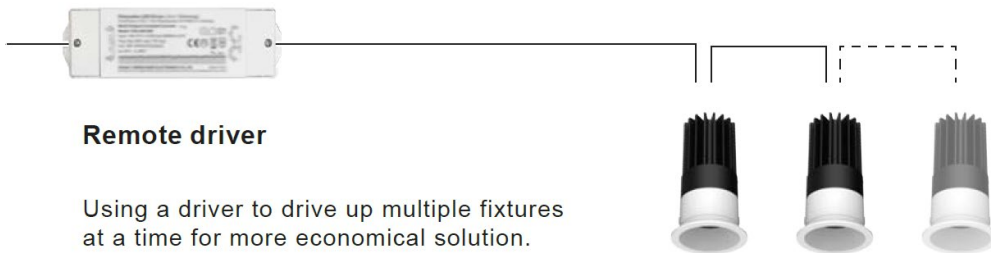




Constant current

1 to multiple fixtures

STAR-1.5" are compatible with all common lighting controls; choose from Traic, 0-10V dimming.



Remote driver

Using a driver to drive up multiple fixtures at a time for more economical solution.

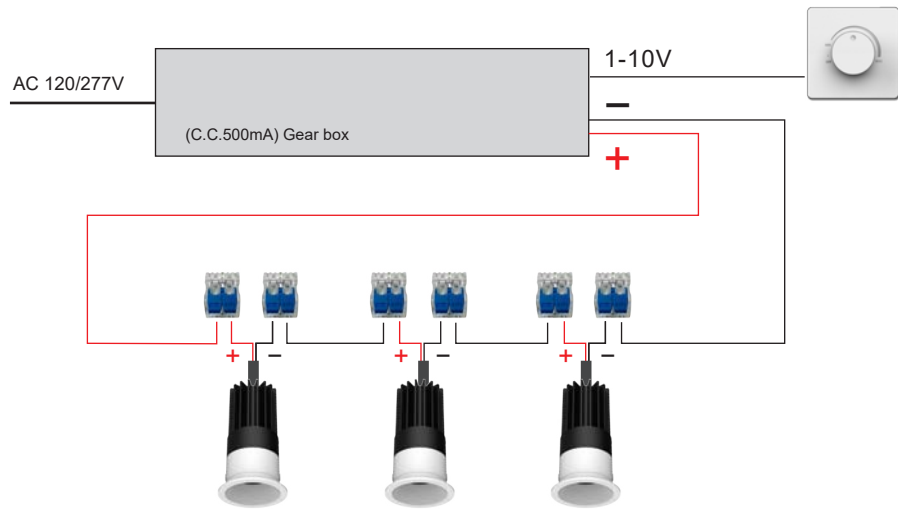
Driver Storage

Recommended Installation
Drivers can be stored into maintenance hole of the enclosure for easy access.



Max circuit length 1181¹/₈"(30M) with wire gauge 12AWG.
Please refer to the last page of the STAR series catalog to purchase drivers.

NON-IC



IC-BOX

